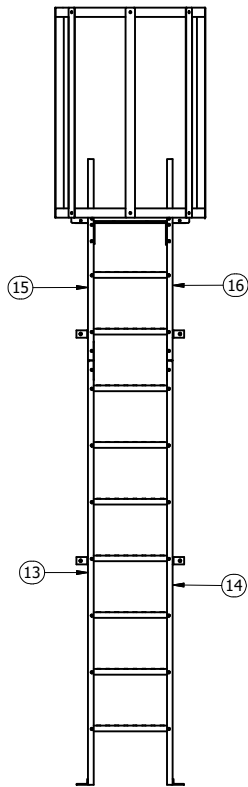
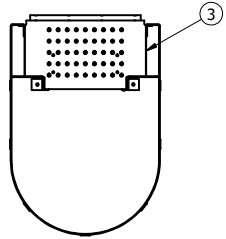
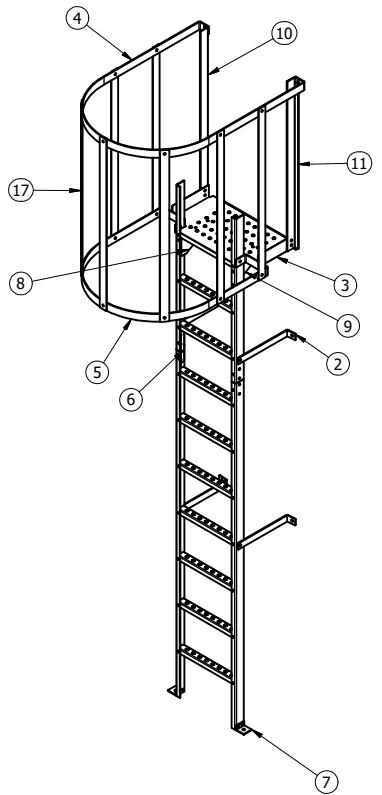
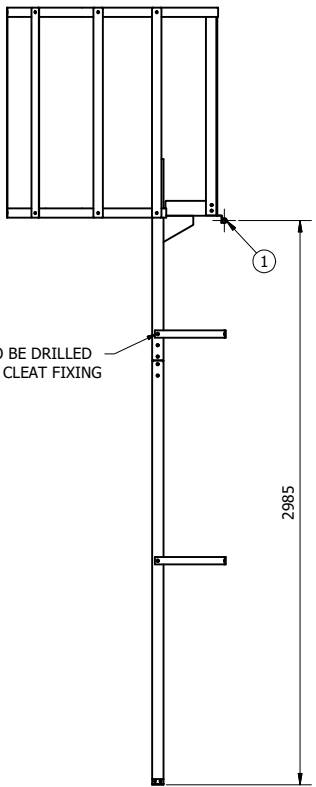


FH17598



HOLES TO BE DRILLED ON SITE FOR CLEAT FIXING



ITEM	PART NO	NAME	QTY
1	112147	TUBE	1
2	112151	CLEAT	4
3	112152	TOP STEP	1
4	112154	LADDER HOOP	1
5	112156	LADDER HOOP	1
6	112157	SPLICE	2
7	112158	ANGLE FOOT	2
8	112159	BRACE PLATE	1
9	112159_MIR	BRACE PLATE	1
10	112186	ANGLE	1
11	112186_MIR	ANGLE	1
12	112193	RUNG	9
13	FH17598-01	FOLDED ANGLE	1
14	FH17598-02	FOLDED ANGLE	1
15	FH17598-03	FOLDED ANGLE	1
16	FH17598-04	FOLDED ANGLE	1
17	FH17598-05	STRAP	7

REV		DESCRIPTION	BY	DATE
0	INITIAL ISSUE		DCM	27/04/2018

Projection:	THIRD ANGLE	Material:	Finish:
Dimensions:	ALL DIMENSIONS IN MM UNLESS OTHERWISE STATED	Tolerance:	Weight: 66.00 kg

Notes:
 Please do not scale off this drawing. If in doubt ask.
 This drawing is the property and copyright of Franklin Hodge Industries Limited and it is issued on condition that it is not copied or reproduced in full or in part or used for the carrying out of any works beyond the works to which the drawing applies.

Client:
 Project: LADDERS

Title: LADDER ASSEMBLY

